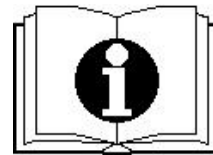




— SCHEMATIC DRAWINGS —

装配示意图



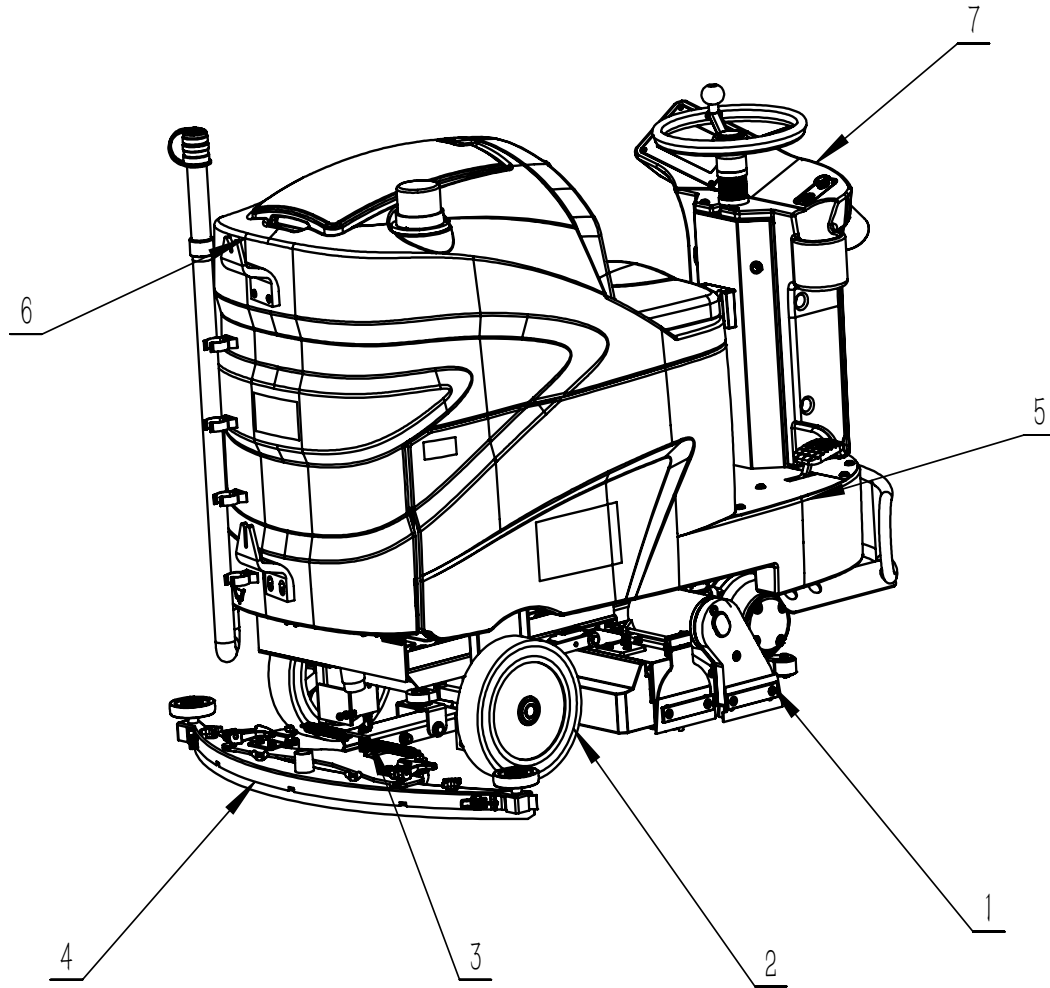
驾驶式洗地机 T150PROC

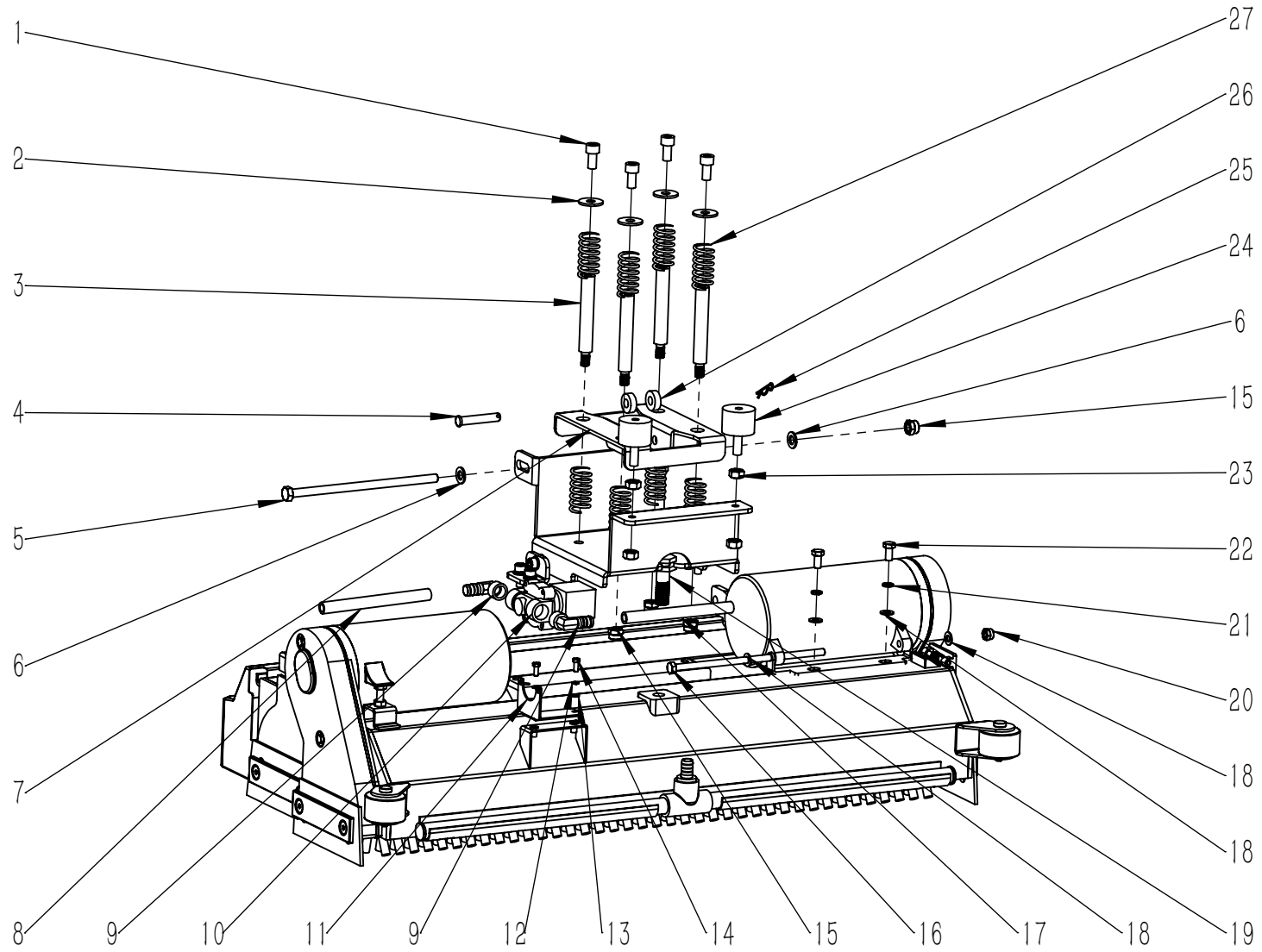
Scrubber Dryer T150PROC



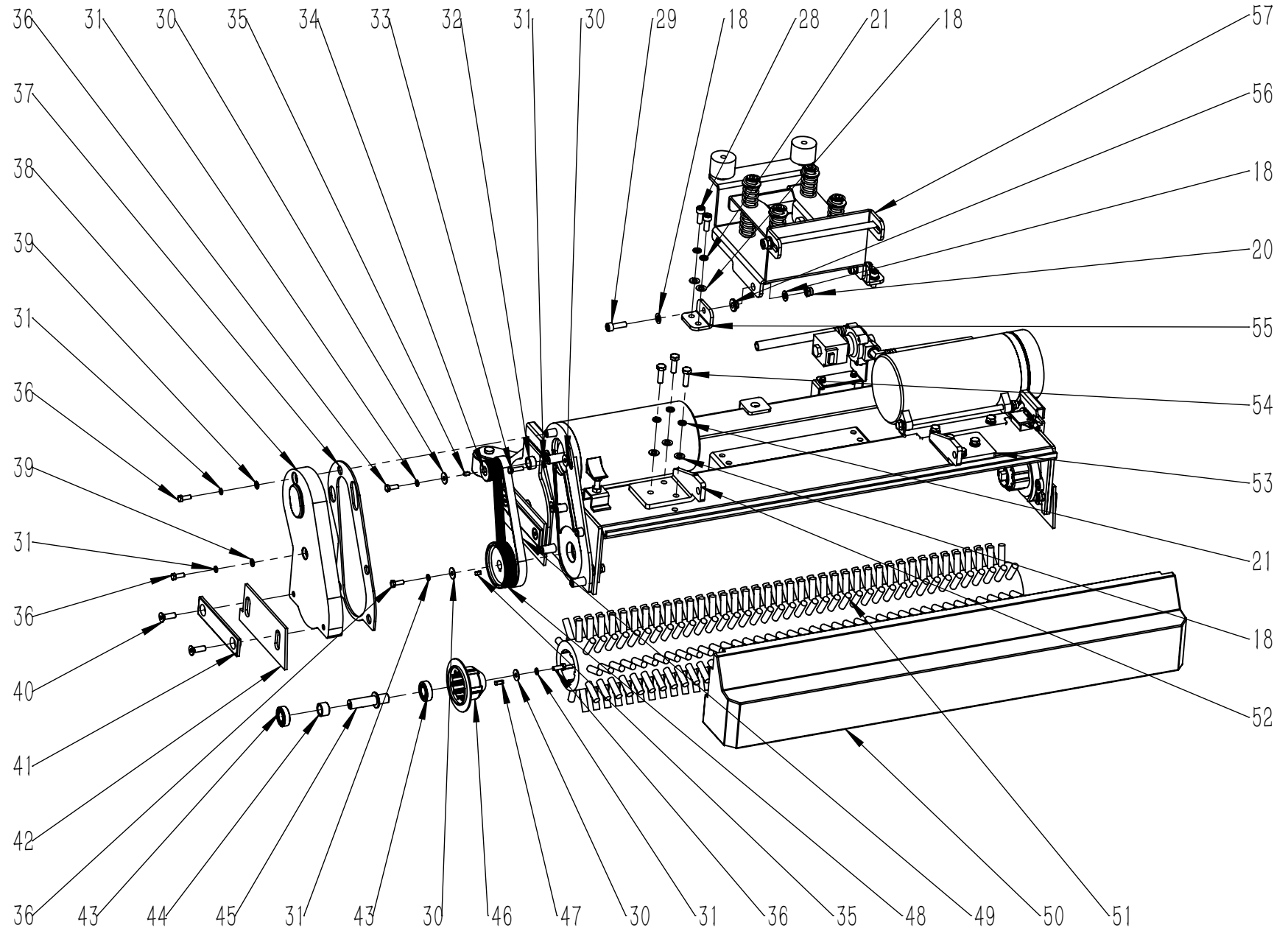
目 录

1. 机头组件·····	1—6
NOSE ASSEMBLY	
2. 底座架组件 ·····	7—16
FRAME ASSEMBLY	
3. 扒头支架组件·····	17—18
SQUEEGEE SUPPORT ASSEMBLY	
4. 扒头组件·····	19—20
SQUEEGEE ASSEMBLY	
5. 清水箱组件·····	21—22
SOLUTION TANK ASSEMBLY	
6. 污水箱组件·····	23—28
RECOVERY TANK ASSEMBLY	
7. 转向组件·····	29—34
DIVERSION ASSEMBLY	
8. 包装组件·····	35
PACKAGING ASSEMBLY	

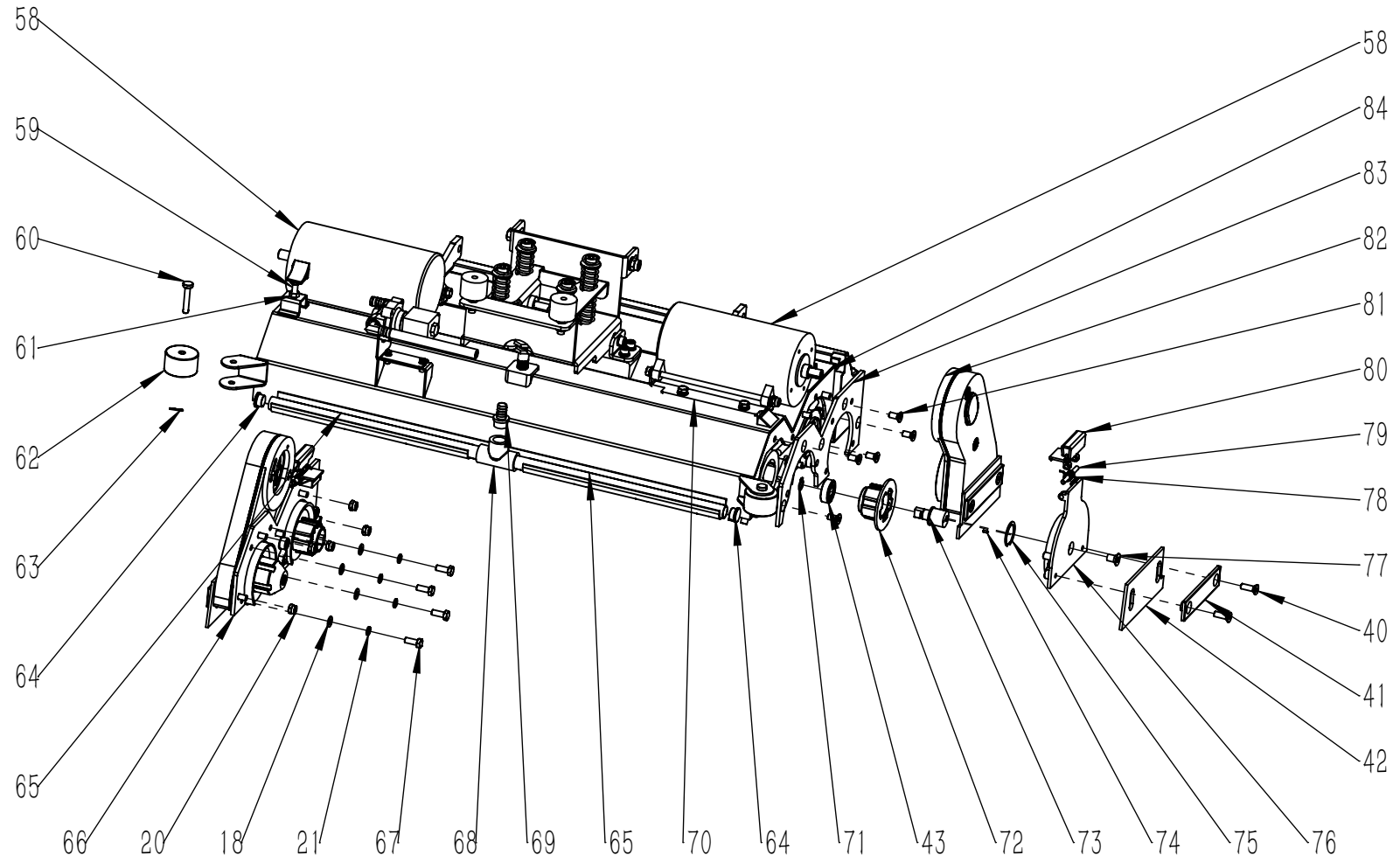




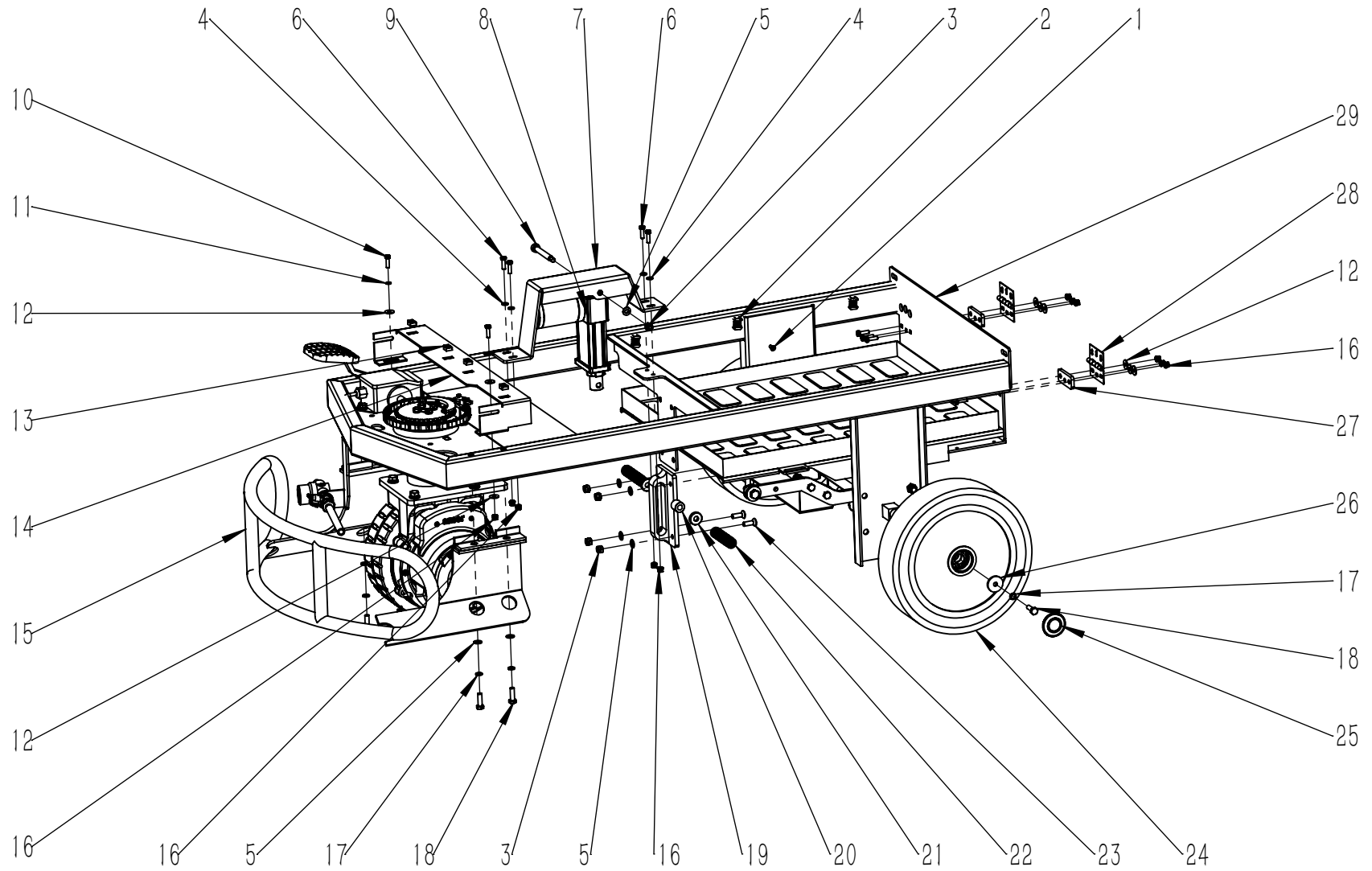
项目号 ITEM	零件号 P/N	数量 QTY	名称	DESCRIPTION
1	N010107	4	内六角圆柱头 M10x20 镀锌	SCREW M10x20 ZINC
2	N030041	4	大平垫 10x30x2.5 镀锌	WASHER 10x30x2.5 ZINC
3	B020047	4	压力调节支撑柱	PRESSURE ADJUSTMENT SUPPORT COLUMN
4	N010345	1	平头带孔销 D10X55 45# 镀锌	FLAT HEAD PIN WITH HOLE
5	N010343	1	外六角 M10x205 半牙 镀锌	SCREW ZINC M10X205
6	N030004	2	平垫 10x20x2 镀锌	WAHSER 10x20x2 ZINC
7	A060036	1	压力调节上支架	PRESSURE ADJUSTMENT UPPER BRACKET
8	F050065.9	1	硅胶水管 D=14 d=9 L=500	SILICONE HOSE D=14 d=9 L=500
9	F020004	2	快速弯头 二分之一	CONNECTOR BEND 1/2
10	E010009	1	电磁阀 24V 17W	SOLENOID VALVE 24V-17W
11	A060045	1	电磁阀支架 70x50	SOLENOID VALVE BRACKET 70X50
12	N040007	2	弹垫 5 镀锌	LOCK WASHER M5 ZINC
13	N030031	2	平垫 5x10x1 镀锌	WASHER 5x10x1 ZINC
14	N010024	2	外六角 M5x12 镀锌	SCREW M5x12 ZINC
15	N020002	5	自锁螺母 M10 镀锌	LOCK NUT M10 ZINC
16	N010380	2	外六角 M8X210 镀锌	SCREW M8X210 ZINC
17	F050065.8	1	硅胶水管 D=14 d=9 L=265	SILICONE HOSE D=14 d=9 L=265
18	N030006	30	平垫 8x16x1.6 镀锌	WASHER 8x16x1.6 ZINC
19	B060239	1	调节螺杆 M16X60	ADJUSTING SCREW M16X60
20	N020001	14	自锁螺母 M8 镀锌	LOCK NUT M8 ZINC
21	N040013	22	弹垫 8 镀锌	LOCK WASHER M8 ZINC
22	N010121	4	外六角 M8x16 镀锌	SCREW M8x16 ZINC
23	N020031	4	螺母 M10 镀锌	NUT M10 ZINC
24	C020384	2	VD 型橡胶减震垫 40X30	VD TYPE RUBBER SHOCK ABSORBER
25	N100035	1	R 型弹簧插销	BOLT TYPE R
26	B050078	2	尼龙垫片 D10.5XD24X8	NYLON GASKET
27	B070051	8	压簧 D23XD3X52	COMPRESSION SPRING



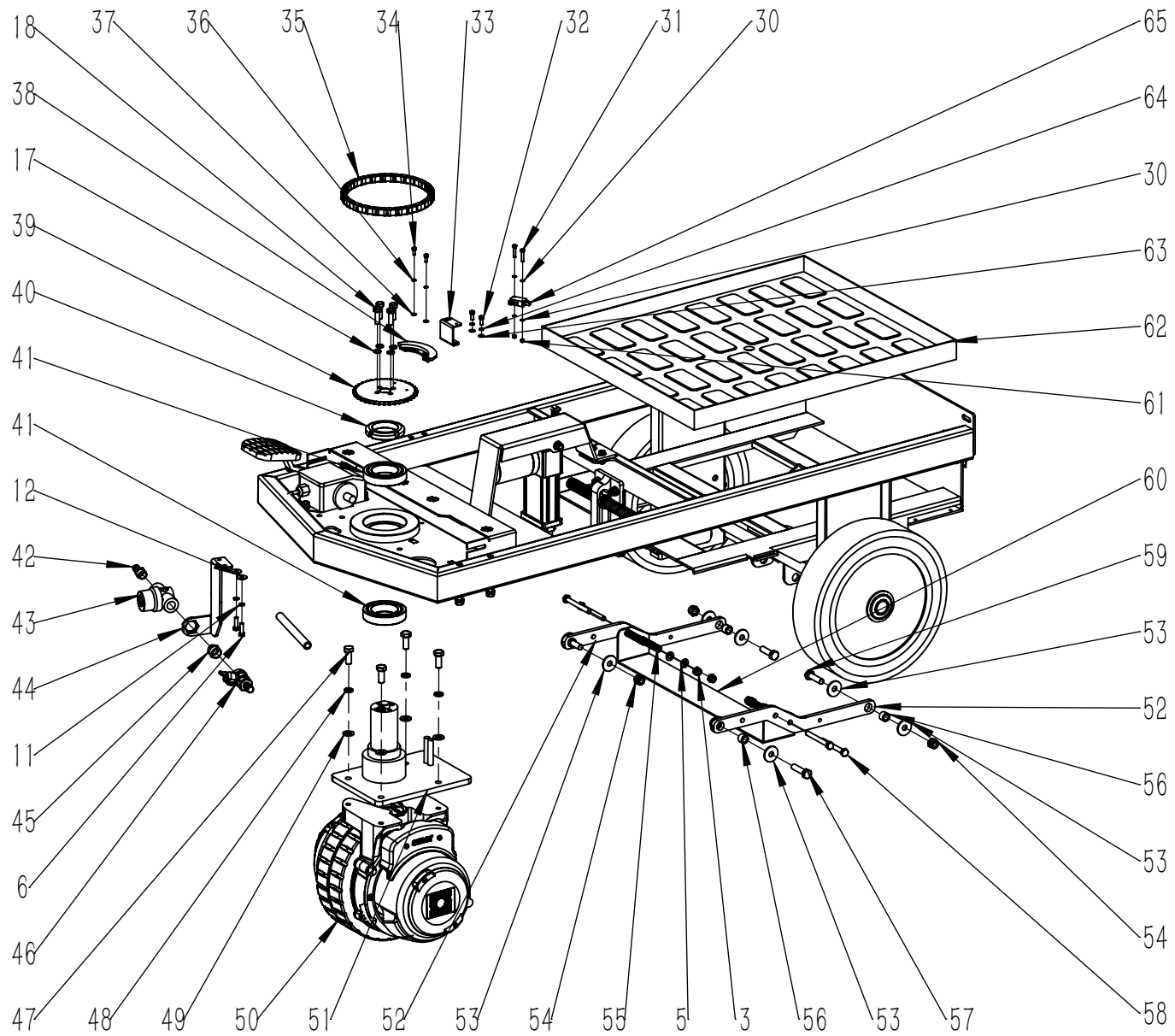
项目号 ITEM	零件号 P/N	数量 QTY	名称	DESCRIPTION
28	N010203	4	内六角圆柱头 M8x20 镀锌	SCREW M8x20 ZINC
29	N010344	2	内六角圆柱头 M8x25 镀锌	SCREW M8x25 ZINC
30	N030008	10	平垫 6x18x1.6 镀锌	WASHER 6x18x1.6 ZINC
31	N040001	14	弹垫 6 镀锌	LOCK WASHER M6 ZINC
32	B010089	2	电机皮带轮轴套 D24XD14X10	MOTOR PULLEY BUSHING D24XD14X10
33	N010006	4	外六角 M6x20 镀锌	SCREW M6x20 ZINC
34	B010090	2	电机皮带轮 D34X20	MOTOR PULLEY D34X20
35	N060037	4	平键 5x5x10	KEY 5x5x10
36	N010005	10	外六角 M6x16 镀锌	SCREW M6x16 ZINC
37	C020414	2	电机安装板减震棉	MOTOR MOUNTING PLATE SHOCK-ABSORBING COTTON
38	A170020	2	电机带轮护罩	MOTOR PULLEY GUARD
39	N030007	4	平垫 6x12x1.6 镀锌	WASHER 6x12x1.6 ZINC
40	N010216	8	沉头内六角 M8x25 镀锌	SCREW-M8x25-ZINC
41	B130001	4	侧挡皮压条	SIDE FENDERS
42	C030103	4	侧挡皮 170X72X4	SIDE FENDER 170X72X4
43	N070031	4	轴承 6002	BEARING 6002
44	B010091	2	隔套 D21XD15X13	SPACER D21XD15X13
45	B060240	2	皮带轮安装轴	PULLEY MOUNTING SHAFT
46	B130003	2	滚刷安装座(铝)	ROLLER BRUSH MOUNT (ALUMINUM)
47	N060038	2	平键 5x5x15	KEY 5x5x15
48	B010092	2	滚刷皮带轮 D75X20	ROLLER BRUSH PULLEY D75X20
49	N090116	2	多楔带 6PJ485	V-RIBBED BELT 6PJ485
50	A050129	1	滚刷垃圾箱	ROLLING TRASH CAN
51	N150138	2	滚刷 800	ROLLER BRUSH 800
52	A060046	1	滚刷左安装支架	ROLLER BRUSH LEFT MOUNTING BRACKET
53	A060047	1	滚刷右安装支架	ROLLER BRUSH RIGHT MOUNTING BRACKET
54	N010007	6	外六角 M8x25 镀锌	SCREW M8x25 ZINC
55	A060038	2	安装支架 35X30	MOUNTING BRACKETS
56	B020048	2	铜套 D12XD20X8.2	BUSHING D12XD20X8.2
57	A060048	1	压力调节下支架 T150PROC	PRESSURE ADJUSTMENT LOWER BRACKET T150PROC



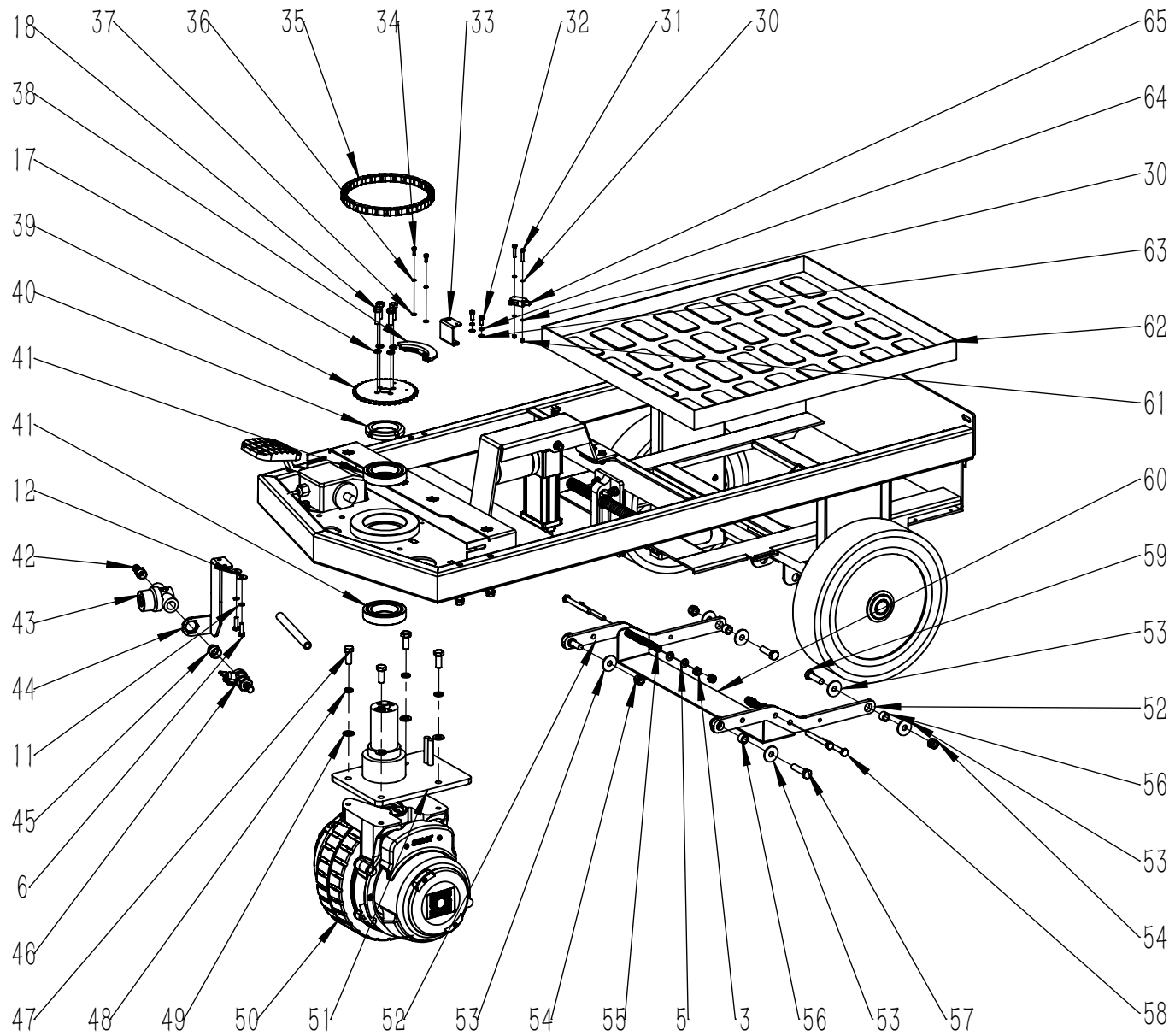
项目号 ITEM	零件号 P/N	数量 QTY	名称	DESCRIPTION
58	E040286	2	滚刷电机 36V 500W	ROLLER BRUSH MOTOR 36V 500W
59	N010043	2	外六角 M8x40 镀锌	SCREW M8x40 ZINC
60	B060241	2	防撞轮安装销 8X60	ANTI-COLLISION WHEEL MOUNTING PIN 8X60
61	N020018	2	螺母 M8 镀锌	NUT M8 ZINC
62	N110079	2	防撞轮 D30X30	ANTI-COLLISION WHEEL D30X30
63	B060242	2	开口销 D2XL14	COTTER PIN D2XL14
64	C020415	2	T型橡胶塞 D18	T-SHAPED RUBBER STOPPER D18
65	F050116	2	硬质 PVC 水管 D=20 d=18 L=350	RIGID PVC WATER PIPE D=20 D=18 L=350
66	A030172	1	钣金滚刷护罩左安装板 T150PROC	SHEET METAL ROLLER GUARD LEFT MOUNTING PLATE T150PROC
67	N010034	8	外六角 M8x20 镀锌	SCREW M8x20 ZINC
68	F020081	1	内丝三通接头 20-二分之一	FEMALE TEE JOINT 20-1/2
69	F020016	1	快速接头-1/2-D=10-d=8	CONNECTOR 1/2 D=10 d=8
70	A020110	2	电机固定板	MOTOR FIXING PLATE
71	N080044	2	轴用卡簧-D15-外卡-轴径 15-卡簧内 13.8	SHAFT CIRCLIP - D15 - OUTER CARD - SHAFT DIAMETER 15 - CIRCLIP INNER DIAMETER 13.8
72	B130002	2	滚刷轴承安装座	ROLLER BEARING MOUNTS
73	B060243	2	滚刷安装轴	ROLLER BRUSH MOUNTING SHAFT
74	B020057	2	球头限位柱 D3	BALL HEAD LIMIT POST D3
75	N080045	2	孔用卡簧-D37-内卡-孔径 37-卡簧外 37.8	CIRCLIP FOR HOLE-D37-INNER CARD-APERTURE 37-CIRCLE OUTER DIAMETER 37.8
77	N010166	2	沉头内六角-M10X16 不锈钢	SCREW M10x16 A2
76	A070146	2	滚刷安装板	ROLLER BRUSH MOUNTING PLATE
78	B070063	2	扭簧 D11.5XD1.5X21	TORSION SPRING D11.5XD1.5X21
79	B060244	2	中心销 D6X70	CENTER PIN D6X70
80	A270002	2	滚刷拆装把手	ROLLER BRUSH DISASSEMBLY HANDLE
81	N010019	10	沉头内六角 M8x18 镀锌	SCREW M8x18 ZINC
82	A030175	2	滚刷电机安装板	ROLLER MOTOR MOUNTING PLATE
83	A030176	1	钣金滚刷护罩右安装板 T150PROC	RIGHT MOUNTING PLATE OF SHEET METAL ROLLER BRUSH GUARD T150PROC
84	A040173	1	钣金机头外罩 T150PROC	SHEET METAL HEAD COVER T150PROC



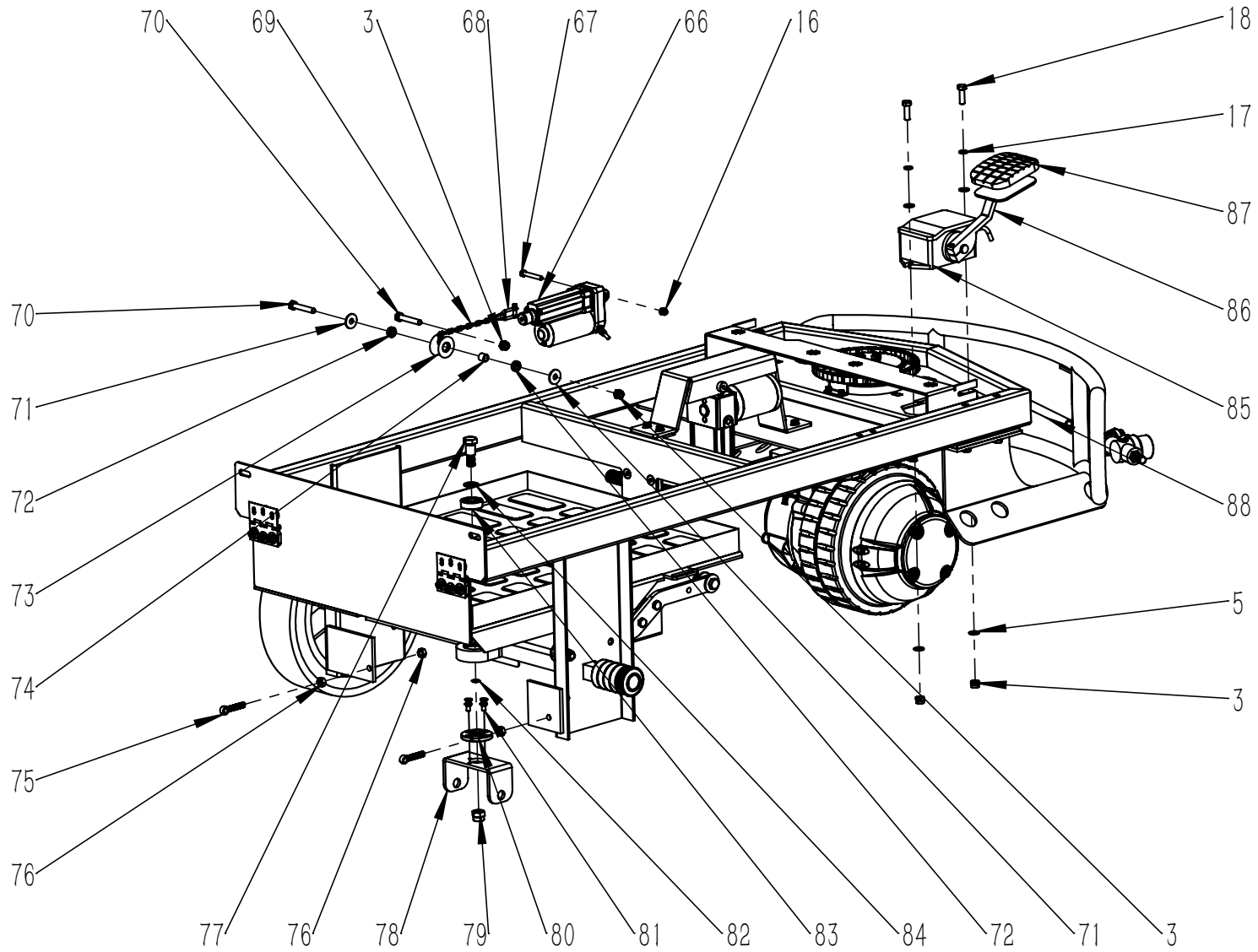
项目号 ITEM	零件号 P/N	数量 QTY	名称	DESCRIPTION
1	N010112	3	盘头十字螺钉 M5x16 不锈钢	SCREW M5x16 A2
2	N090002	3	扎带固定座 23x16	SUPPORT 23x16
3	N020001	13	自锁螺母 M8 镀锌	LOCK NUT M8 ZINC
4	N030007	4	平垫 6x12x1.6 镀锌	WASHER 6x12x1.6 ZINC
5	N030006	17	平垫 8x16x1.6 镀锌	WASHER 8x16x1.6 ZINC
6	N010006	6	外六角 M6x20 镀锌	SCREW M6x20 ZINC
7	A040121	1	机头推杆安装支架	HEAD PUSH ROD MOUNTING BRACKET
8	E040220	1	恒业电机	PUSH ROD MOTOR 36V 70MM-HT63P04
9	N010342	1	轴肩螺栓 D10X70XM8	SHOULDER BOLT D10X70XM8
10	N010347	8	外六角 M6x20 镀黑锌	SCREW BLACK M6X20 ZINC
11	N040001	4	弹垫 6 镀锌	LOCK WASHER M6 ZINC
12	N030077	12	大平垫 6x18x1.6 镀黑锌	WASHER BLACK ZINC 6x18x1.6
13	N020015	4	悬挂方螺母 M5 镀锌	NUT M5 ZINC
14	A020013	1	加宽脚踏板支架 518x60	SUPPORT 518x60
15	A030117	1	前防撞梁 T150PRO	FRONT ANTI COLLISION BEAM
16	N020071	13	自锁螺母 M6 镀黑锌	LOCK NUT BLACK ZINC
17	N040013	12	弹垫 8 镀锌	LOCK WASHER M8 ZINC
18	N010007	12	外六角 M8x25 镀锌	SCREW M8x25 ZINC
19	A040120	1	压力调节导轨	PRESSURE ADJUSTMENT RAIL
20	B020045	1	尼龙套 D10. 2XD20X20	NYLON SLEEVE
21	B020046	2	铜隔套 D10. 2XD25X6	COPPER SPACER
22	B070050	2	压簧 D20XD2. 5X84	COMPRESSION SPRING D20XD2. 5X84
23	N010216	4	沉头内六角 M8x25 镀锌	SCREW-M8x25-ZINC
24	C020030	2	轮子 300x70	WHEEL D300x70
25	C020003	2	脚轮盖 D42	COVER D42
26	B060069	2	平垫 8. 2x32x4 镀锌	WASHER 8. 5x30x4 ZINC
27	A030014	2	折页固定板 64x25	PLAQUE 64x25
28	N080004	2	折页 64x64	HINGE 64x64
29	A010226	1	底座架 T150PRO 滚刷	BASE FRAME T150PRO ROLLER BRUSH



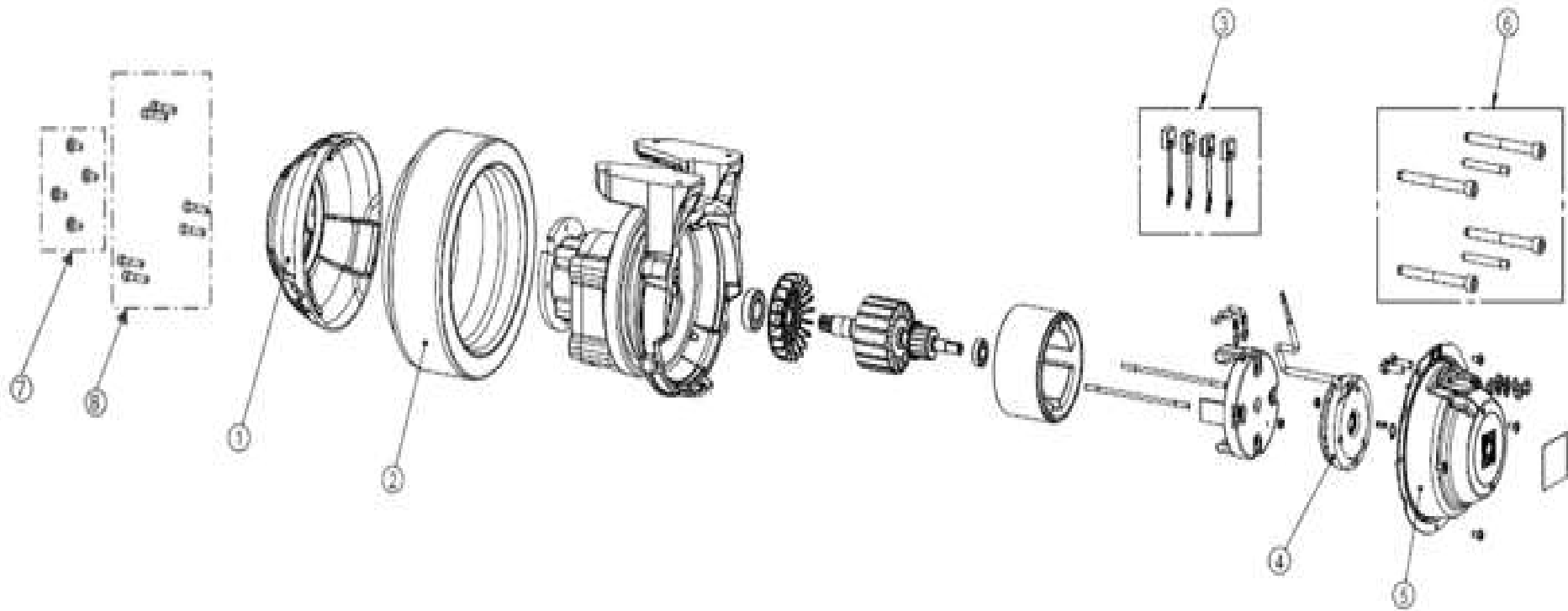
项目号 ITEM	零件号 P/N	数量 QTY	名称	DESCRIPTION
30	N030019	4	平垫 3x7x0.5 不锈钢	WASHER 3x7x0.5
31	N010027	2	外六角 M3x20 不锈钢	SCREW M3x20 A2
32	N010024	2	外六角 M5x12 镀锌	SCREW M5x12 ZINC
33	A020036	1	微动开关支架	MICRO SWITCH BRACKET
34	N010199	2	内六角圆柱头 M4X10 不锈钢	SCREW HM4x10 A2
35	N100018	1	链条 06B-23 45	CHAIN 06B-23/45
36	N040019	2	弹垫 4 不锈钢	LOCK WASHER M4
37	N030053	2	平垫 4x9x0.8 不锈钢	WAHSE 4x9x1 ZINC
38	B050061	1	链轮开关 T130	CAM T130
39	B060149	1	转向大齿轮 T130	PINION T130
40	N020059	1	四槽螺母 M50×1.5	NUT M50x1.5
41	N070006	2	轴承 6010	BEARING 6010
42	F020003	1	快速接头 八分之三 D=13 d=10	CONNECTOR 3/8 D=12 d=10
43	F010004	1	过滤阀 八分之三	FILTER 78x36x60
44	A060044	1	过滤器支架 T150PROC	FILTER HOLDER T150PROC
45	F020019	1	外丝接头二分之一 八分之三 不锈钢	CONNECTOR 1/2-3/8 A2
46	F010006	1	蝶形球阀-1/2-直接头 D=10	BALL VALVE 1/2 CONNECTION STRAIGHT D=10
47	N010060	4	外六角 M10x25 镀锌	SCREW M10x25 ZINC
48	N040003	4	弹垫 10 镀锌	LOCK WASHER M10 ZINC
49	N030004	4	平垫 10x20x2 镀锌	WAHSER 10x20x2 ZINC
50	E040219	1	36V 800W AMER 驱动电机	36V 800W AMER DRIVE MOTOR
51	B060184	1	电机定位轴 T150PRO	MOTOR POSITIONING SHAFT
52	A040169	2	拉臂 366	PULL ARM 366
53	N030041	8	平垫 10x30x2.5 镀锌	WASHER 10x30x2.5 ZINC
54	N020002	4	自锁螺母 M10 镀锌	LOCK NUT M10 ZINC
55	B070009	4	压簧 12x1.75x55	SPRING 1.75x12x55
56	B020016	4	铜套 10x16x11.5	BUSHING 10x16x11.5
57	N010026	2	外六角 M10x40 镀锌	SCREW M10x40 ZINC
58	N010056	4	外六角 M8x70 镀锌	SCREW M8x70 ZINC
59	N010081	2	外六角 M10x35 镀锌	SCREW M10x35 ZINC



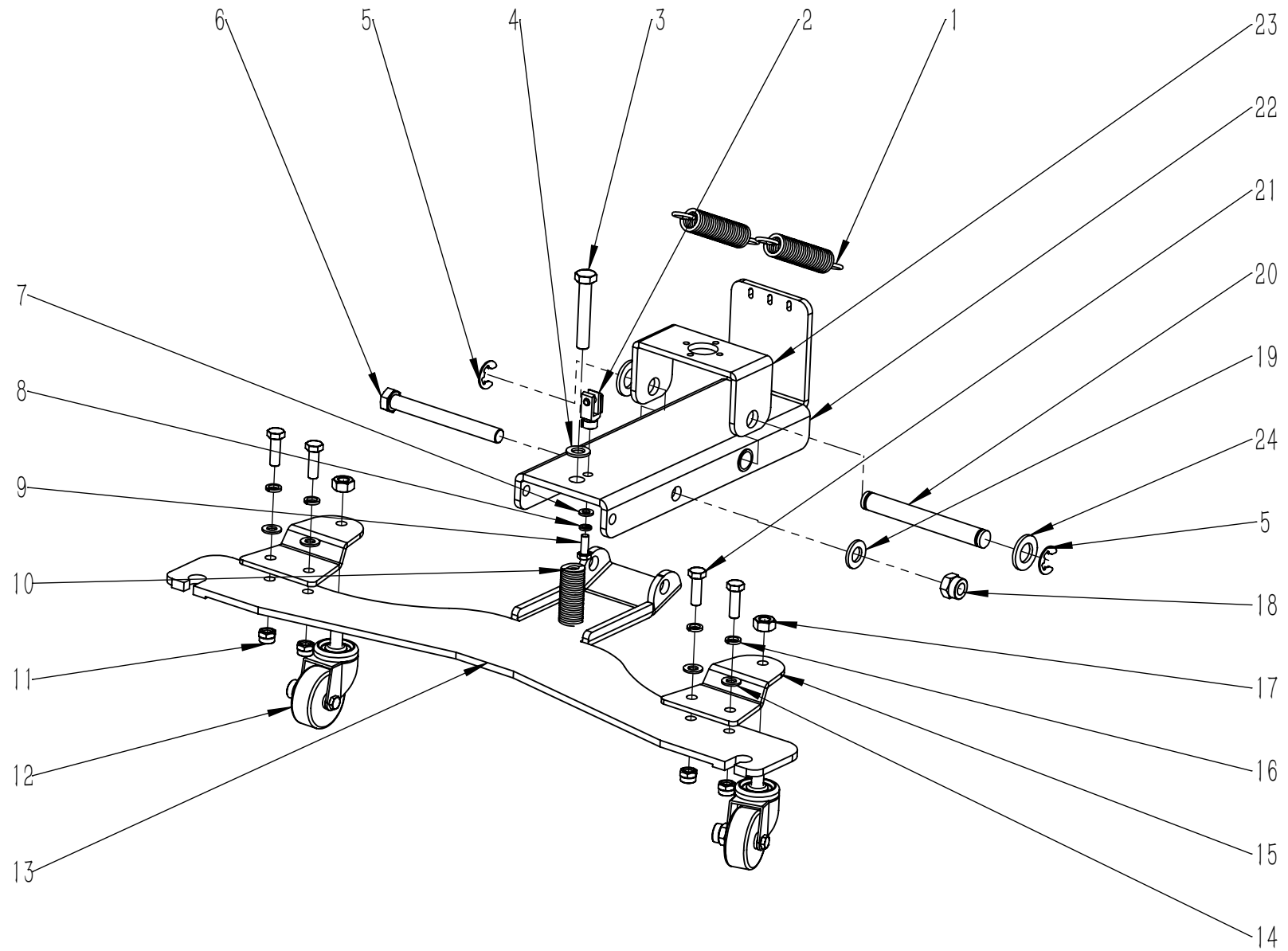
项目号 ITEM	零件号 P/N	数量 QTY	名称	DESCRIPTION
60	A040170	1	拉臂连接板 474X70	PULL ARM CONNECTING PLATE 474X70
61	N020045	2	自锁螺母 M3 不锈钢	LOCK NUT M3 A2
62	C020024	1	电池座 595x492	BATTERY BASE 595x492
63	N030031	2	平垫 5x10x1 镀锌	WASHER 5x10x1 ZINC
64	N040007	2	弹垫 5 镀锌	LOCK WASHER M5 ZINC
65	E020029	1	微动开关常开	MICROSWITCH 250V 16A NORMALLY SWITCH ON



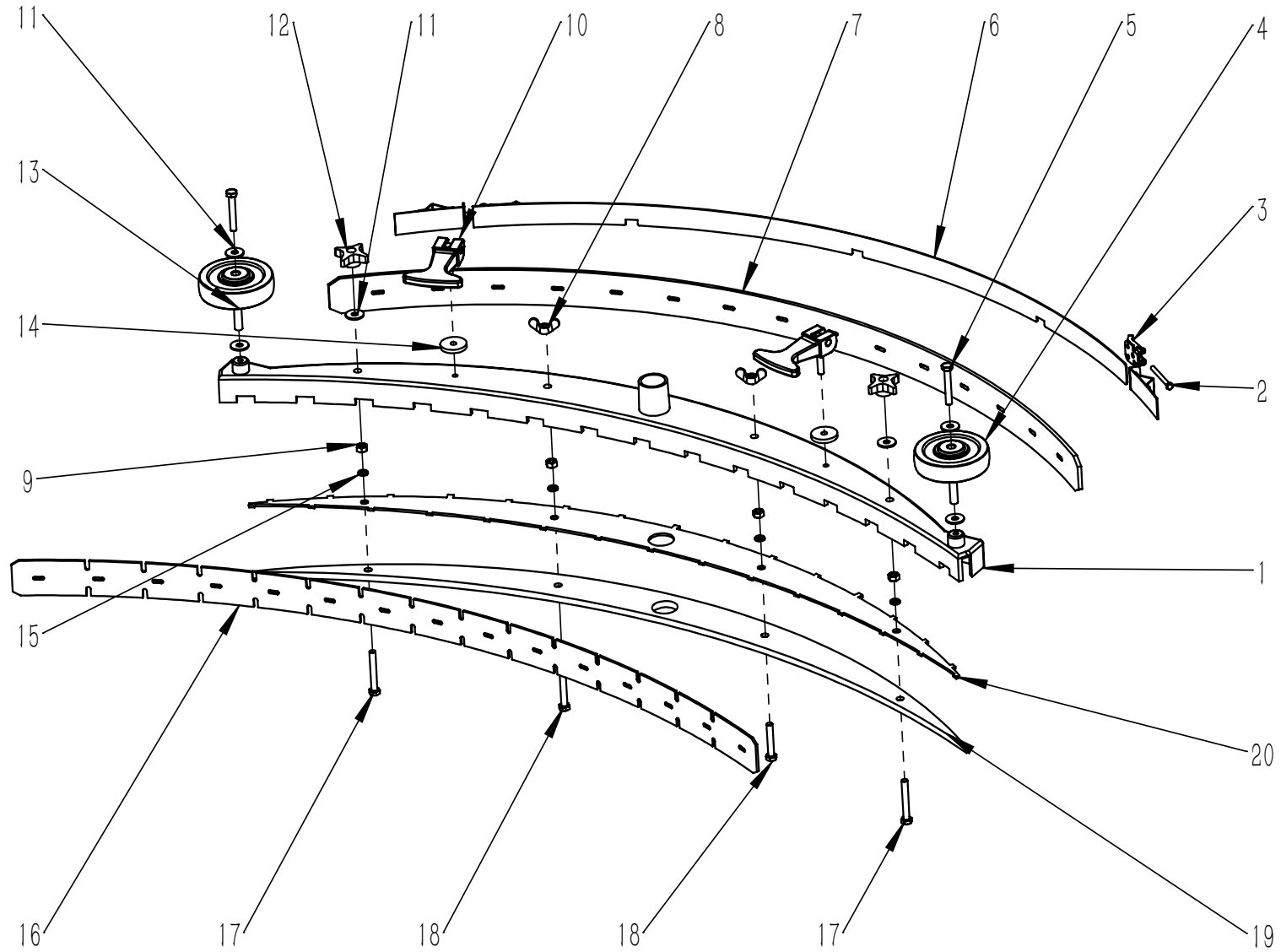
项目号 ITEM	零件号 P/N	数量 QTY	名称	DESCRIPTION
66	E040095	1	推杆电机 1000N 60mm	MOTOR STROKE 60mm
67	N010205	1	外六角 M6x40 镀锌	SCREW M6x40 ZINC
68	N060009	1	U型螺栓 M5	SPLIT PIN M5
69	N100016	1	链条 255	CHAIN 255
70	N010003	2	外六角 M8x45 镀锌	SCREW M8x45 ZINC
71	N030027	2	大平垫 8x24x2 镀锌	WASHER 8x24x2 ZINC
72	N070003	2	小轴承 688zz	BEARING 688 ZZ
73	B050010	1	滑轮 $\Phi 35 \times 20$	ROLLER D35x20
74	B020019	1	铜套 8x12x11	BUSHING 8x12x11
75	N100006	2	吊杆活结螺栓 M8X35	SWING BOLT M8x35
76	N020054	4	螺母 M8 发黑	NUT M8 BLACK ZINC
77	B060120	1	扒头支架轴肩螺栓	SUPPORT SHOULDER BOLT
78	A050061	1	扒头支架连接板	SUPPORT CONNECTING PLATE
79	N020003	1	自锁螺母-M12x1.75-镀锌	LOCK NUT M12x1.75 ZINC
80	B050057	1	轴承座法兰	BEARING SUPPORT FLANGE
81	N010154	4	沉头内六角 M6x12 不锈钢	SCREW M6x12 A2
82	N080019	1	卡簧 D35	CIRCLIP D35
83	N070019	1	轴承 6202zz-AC	BEARING 6202ZZ
84	B050056	1	垫片 $\Phi 15 \times \Phi 23 \times 2$	WASHER D15xD23x2
85	E020005A	1	霍尔电子油门踏板	HALL ACCELERATOR
86	A050059	1	新型脚踏	PEDAL T150
87	C030006	1	脚踏垫 98x80	RUBBER PAD 98x80
88	F050065.10	1	硅胶水管 D=14 d=9 L=280	SILICONE HOSE D=14 d=9 L=280



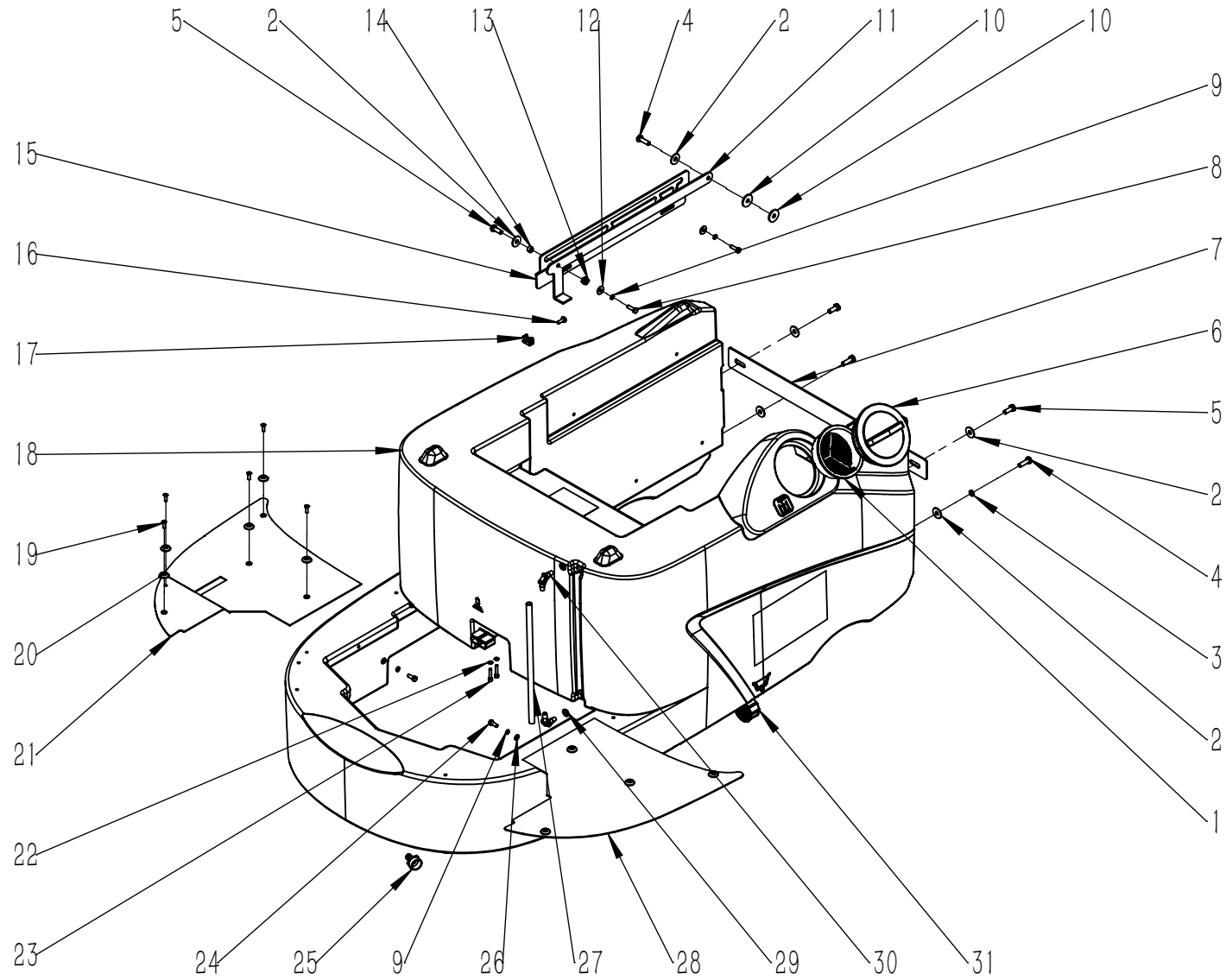
项目号 ITEM	零件号 P/N	名称	数量 QTY	DESCRIPTION
1	N110076	AMER 驱动电机轮毂 T150PRO	1	HUB T150PRO
2	N110077	红色轮毂电机轮胎 250X80 T150PRO	1	RED MOTORWHEEL TYRE 250X80 T150PRO
3	E040283	电机 MP100 T150PRO	1	MOTOR MP100 T150PRO
4	E040221	碳刷 T150PRO	1	BRUSH KIT (4 Pcs) T150PRO
5	C020409	盖板 H37 MTR11 T150PRO	1	BOARD COVER H37 MTR11 T150PRO
6	E020088	电磁刹车 36VDC 8Nm T150PRO	1	ELECTROBRAKE 36VDC 8Nm T150PRO
7	N050006	套筒 MTR11 X MP100 T150PRO	1	SLEEVE MTR11 X MP100 WITH SLOT T150PRO
8	N050007	轮胎脉冲器套件 T150PRO	1	TIRE PULLER KIT T150PRO



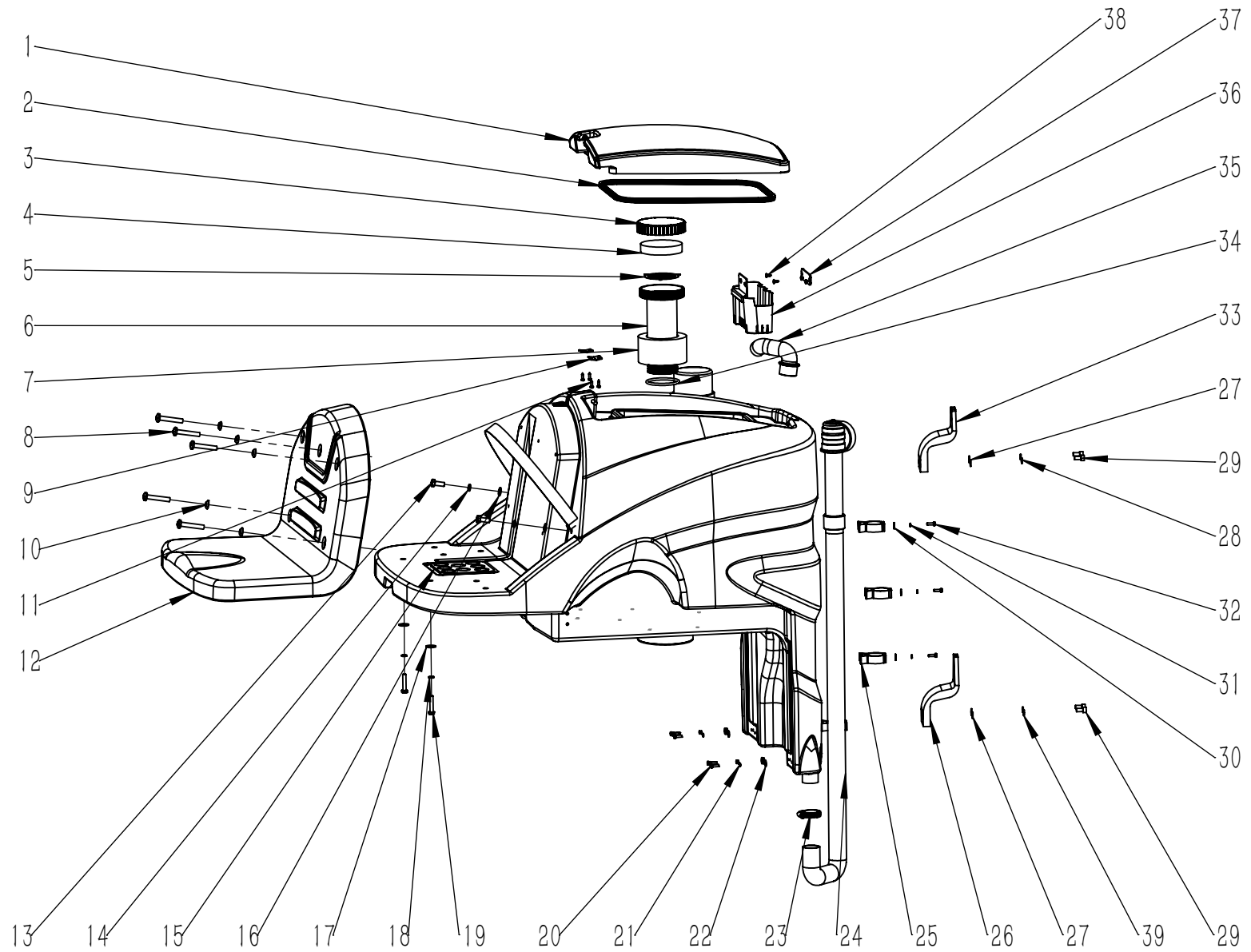
项目号 ITEM	零件号 P/N	数量 QTY	名称	DESCRIPTION
1	B070008	2	拉簧 2.8x20x109	SPRING 2.8x20x109
2	N060006	1	夹片式-Y型接头-Y-16	Y-CONNECTOR Y-16
3	N010089	1	外六角-M10x60-不锈钢-全牙	SCREW M10x60 A2 WHOLE TOOTH
4	N030004	1	平垫-10x20x2-镀锌	WASHER 10x20x2 ZINC
5	N080010	2	卡簧 D12	CIRCLIP Φ12
6	N010158	1	外六角 M12x110	SCREW M12x110 A2
7	N030024	1	平垫-6x12x1.6-不锈钢	WASHER 6x12x1.6 A2
8	N040011	1	弹垫-M6-不锈钢	LOCK WASHER M6 A2
9	N010182	1	外六角-M6x16-不锈钢	SCREW M6x16 A2
10	B070025	1	矩形弹簧-D10.5xD20x50-黄色	RECTANGULAR SPRING
11	N020024	4	自锁螺母-M8-不锈钢	LOCK NUT M8 A2
12	N110048	2	M10 螺杆万向轮Φ50	M10 SCREW UNIVERSAL WHEEL Φ50
13	A050055	1	扒头下支架 T150	SUPPORT T150
14	N030010	4	平垫-8x16x1.6-不锈钢	WASHER 8x16x1.6 A2
15	A030065	2	万向轮支架-T150-随摆	SUPPORT
16	N040017	4	弹垫-M8-不锈钢	LOCK WASHER M8
17	N020062	2	螺母-M10-不锈钢	NUT M4 A2
18	N020003	1	自锁螺母-M12x1.75-镀锌	LOCK NUT M12x1.75 ZINC
19	N030011	1	平垫-12x24x2.5-镀锌	WASHER 12x24x2.5 ZINC
20	B060100	1	转动轴 D15x124	AXIS OF ROTATION Φ15x124
21	N010094	4	外六角-M8x25-不锈钢	SCREW M8x25 A2
22	A050060	1	扒头上支架-T150-随摆	SUPPORT
23	A050061	1	扒头支架连接板	SUPPORT CONNECTING PLATE
24	N030033	2	平垫-16x30x3-不锈钢	WASHER 16x30x3 A2



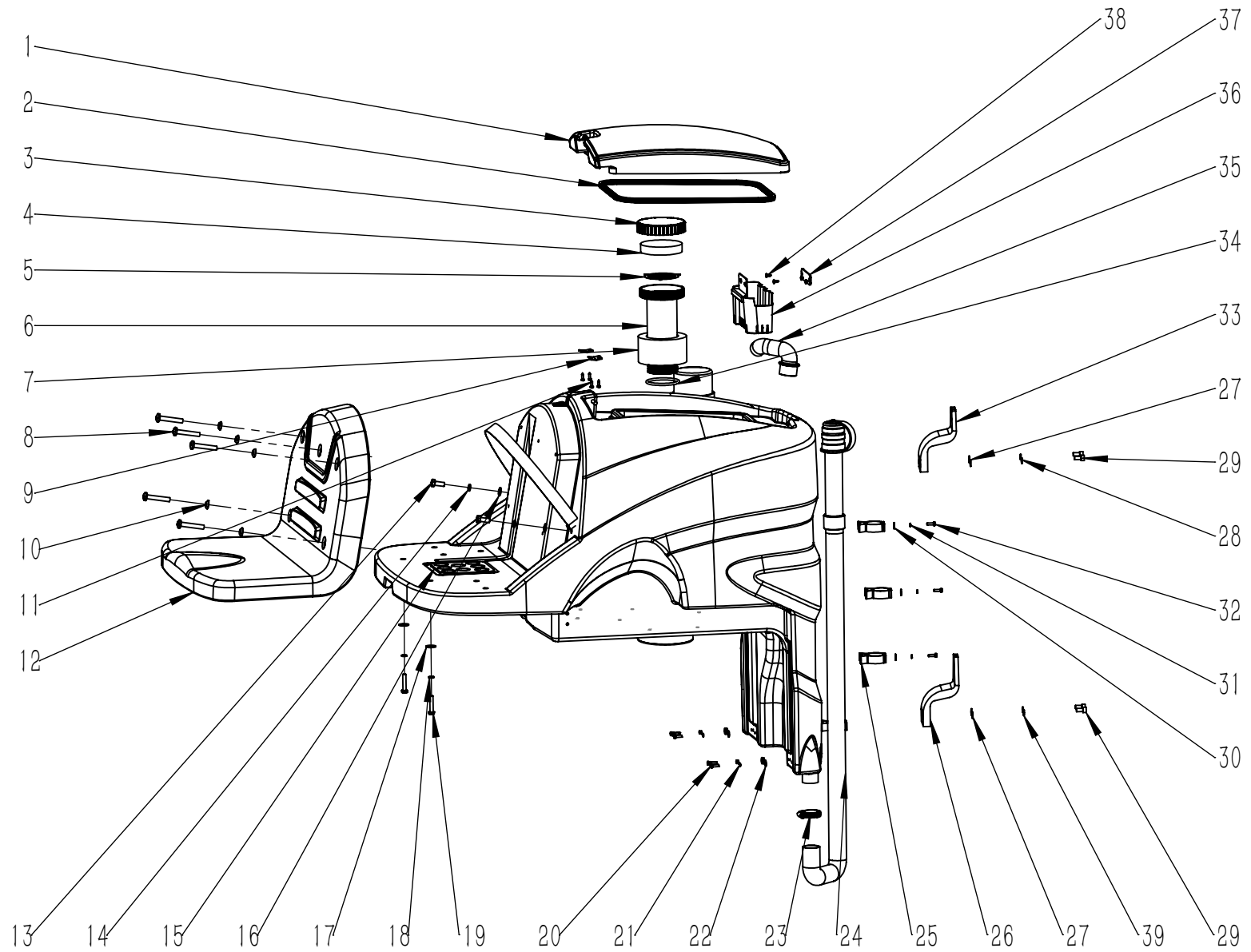
项目号 ITEM	零件号 P/N	数量 QTY	名称	DESCRIPTION
1	D010047	1	扒头主体 黑色	SQUEEGEE BODY BLACK
2	N010146	2	外六角-M5x55-不锈钢	SCREW M5x55 A2
3	N080009	2	不锈钢搭扣 M5	HASP M5 A2
4	N110019	2	防撞轮 D100x29.5	WHEEL Φ100x29.5
5	N010144	2	外六角-M8x50-不锈钢	SCREW M8x50 A2
6	A030048	1	扒头后固定钢板 1250	BLADE 1250
7	C030033	1	后橡皮刮条 1290x54x5	REAR SQUEEGE BLADE RUBBER 1290x54x5
8	N020073	2	蝶形螺母-M8-不锈钢发黑	WING NUT M8 A2 BLACK
9	N020010	4	螺母-M8-不锈钢	NUT M8 A2
10	C020113	2	扒头快装把手 T150	QUICK INSTALL HANDLE T150
11	N030028	6	平垫-8x24x2-不锈钢	WASHER 8x24x2 A2
12	N100047	2	四星螺帽 M8 黄	NUT M8 (YELLOW)
13	B020027	2	防撞轮铜套 8x10x31	BUSHING 8x10x31
14	N030064	2	尼龙垫片 D35xD8x5	WASHER D35xD8x5 NYLON
15	N040017	4	弹垫-M8-不锈钢	LOCK WASHER M8
16	C030032	1	前橡皮刮条 3x50x1217	FRONT SQUEEGE BLADE RUBBER 3x50x1217
17	N010131	2	外六角-M8x55-不锈钢	SCREW M8x55 A2
18	N010050	2	外六角-M8x45-不锈钢	SCREW M8x45 A2
19	B050023	1	半月板 1090	PLATE 1090
20	A030047	1	刮条固定板 1090	FIXED PLATE 1090



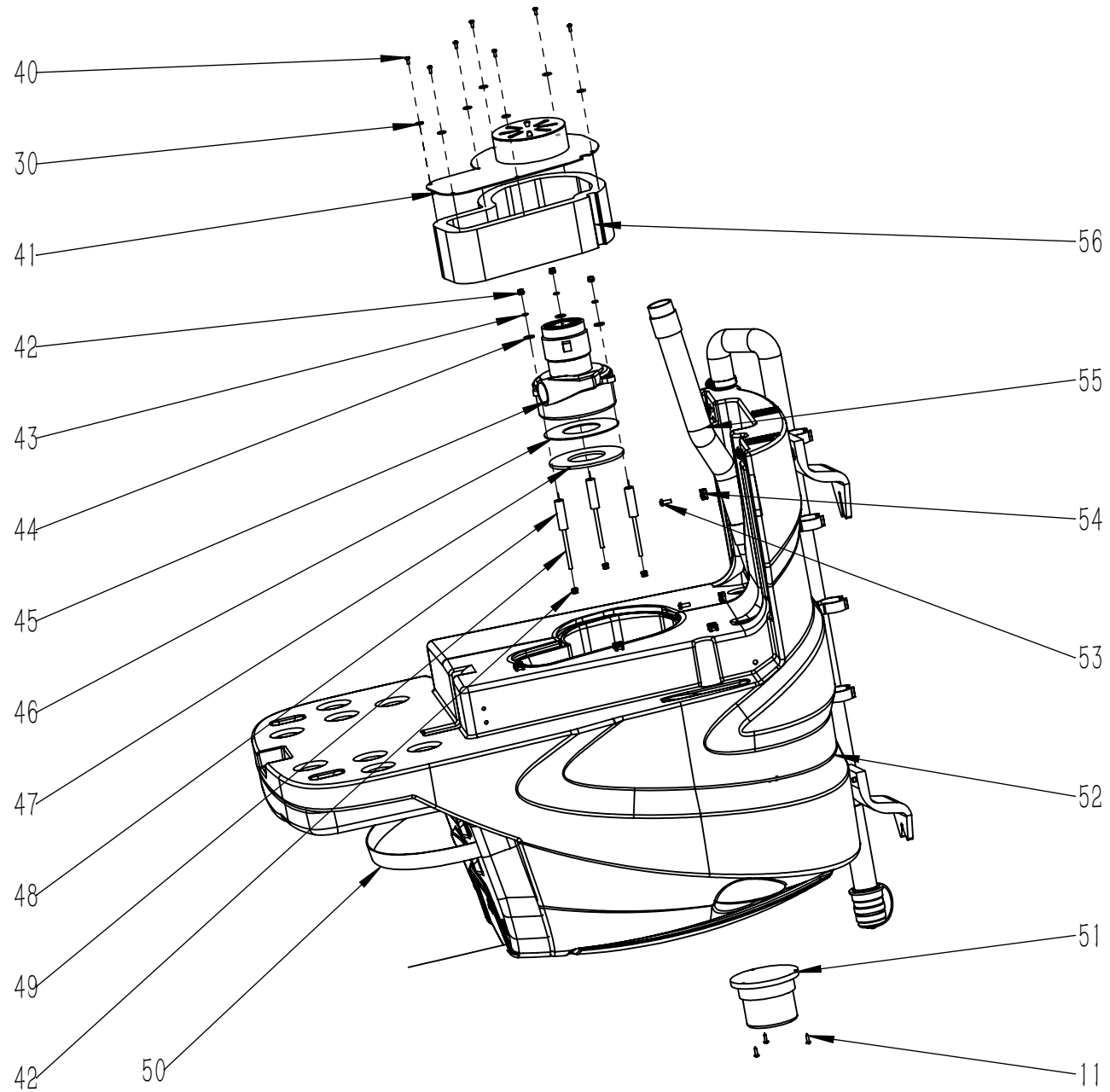
项目号 ITEM	零件号 P/N	数量 QTY	名称	DESCRIPTION
1	C020006	1	清水箱注水口滤网 D110	FILTER D110
2	N030027	6	平垫-8x24x2-镀锌	WASHER 8x24x2 ZINC
3	N040013	2	弹垫-M8-镀锌	LOCK WASHER M8 ZINC
4	N010007	3	外六角-M8x25-镀锌	SCREW M8x25 ZINC
5	N010034	3	外六角-M8x20-镀锌	SCREW M8x20 ZINC
6	C020005	1	清水箱注水口盖子 D115	THREADED COVER D115
7	A020012	1	加宽支架 600x50	SUPPORT
8	N010006	2	外六角-M6x20-镀锌	SCREW M6x20 ZINC
9	N040001	4	弹垫-M6-镀锌	LOCK WASHER M6 ZINC
10	N030034	2	平垫-8x28x3-尼龙	WASHER 8x28x3 NYLON
11	A020011	1	加长支撑杆 500x95	PROP
12	N030077	2	平垫-6x18x1.6-镀黑锌	WASHER BLACK ZINC 6x18x1.6
13	N020001	1	自锁螺母-M8-镀锌	LOCK NUT M8 ZINC
14	B020011	1	铜套 8x12x6.5	BUSHING 8x12x6.5
15	A020010	1	加长侧支架 450x92	SUPPORT
16	N010112	1	十字盘头-M5x16-不锈钢	SCREW M5x16 A2
17	N090002	1	扎带固定座 23x16	SUPPORT 23x1
18	C010014	1	清水箱 T150	SOLUTION TANK T150
19	N010230	9	沉头十字-M5x16-镀黑锌	SCREW M5x16 BLACK ZINC PLATING
20	C020028	9	异形垫片 D5	WASHER D5
21	A050030-A	1	右脚垫 R480-A	BOTTOM PLATE RIGHT R480-A
22	N030031	2	平垫-5x10x1-镀锌	WASHER 5x10x1 ZINC
23	N010362	2	内六角圆柱头-M5x25-镀锌	SCREW M5x25 ZINC
24	N010005	2	外六角-M6x16-镀锌	SCREW M6x16 ZINC
25	F020014	1	快速接头-3/4-D=12-d=10	CONNECTOR 3/4 D=12 d=10
26	N030007	2	平垫-6x12x1.6-镀锌	WASHER 6x12x1.6 ZINC
27	F050042.1	0.32	PU水管 D=12 d=8 L=320	PU WATER PIPE D=12 d=8 L=320
28	A050031-A	1	左脚垫 R480-A	BOTTOM PLATE LEFT R480-A
29	C030013	2	密封垫 D8	GASKET D8
30	F020001	2	快速接头 D(8-6)x30	CONNECTOR Φ(8-6)x30
31	C020416	1	清水箱排水口盖子	WATER TANK DRAIN COVER



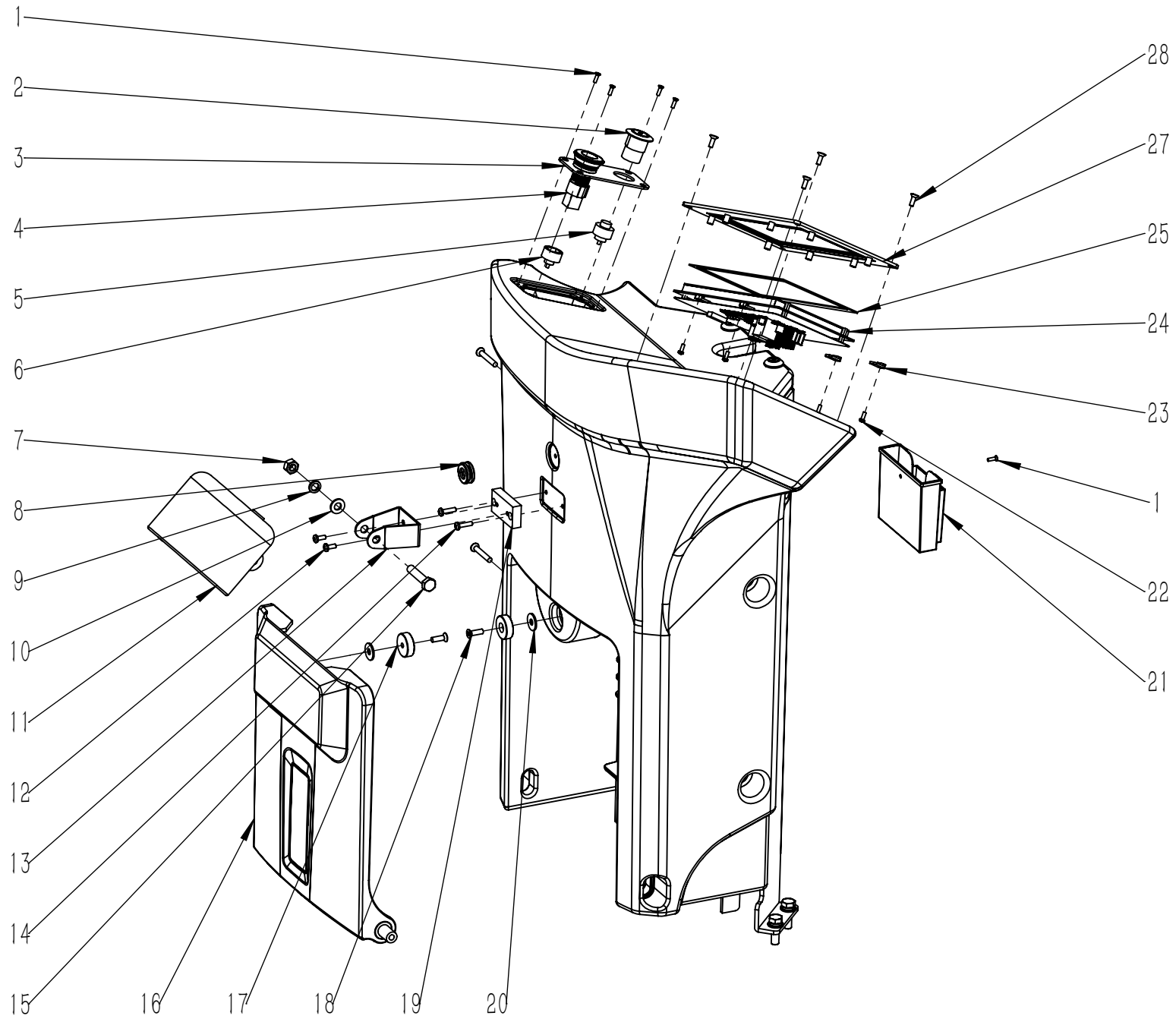
项目号 ITEM	零件号 P/N	数量 QTY	名称	DESCRIPTION
1	C010003	1	污水箱盖板	RECOVERY TANK COVER
2	N090010.1	1	密封胶条 19.5x9.5x9 L=1280	RUBBER 19.5x9.5x9L=1280
3	C020019	1	吸水口盖子 D118x24	COVER D118x24
4	F040002	1	吸水口消音海绵 D103x20	SPONGE D103x20
5	A030063	1	吸水口挡板	BAFFLE
6	C020018	1	吸水口主体 D74x210	SUCTION BODY D74x210
7	F040004	1	浮球 D80x64	FLOATER D80x64
8	N010172	5	圆头十字-M6x20-镀黑锌	SCREW M6x20 BLACK ZINC
9	A010001	2	箱盖固定板 34x30	PLAQUE
10	C020028	5	异形垫片 D5	WASHER D5
11	N010052	7	圆头十字自攻螺丝-M4.2x16-不锈钢	SELF TAPPING SCREW M4.2x16 A2
12	C010018	1	坐垫 T150	SEAT T150
13	N010060	2	外六角-M10x25-镀锌	SCREW M10x25 ZINC
14	N040003	2	弹垫-M10-镀锌	LOCK WASHER M10 ZINC
15	E020007	2	压力开关-150x135x5-常开	PRESSURE SWITCH 150x135x5 N.O.
16	N030004	2	平垫-10x20x2-镀锌	WASHER 10x20x2 ZINC
17	N030027	2	平垫-8x24x2-镀锌	WASHER 8x24x2 ZINC
18	N040013	2	弹垫-M8-镀锌	LOCK WASHER M8 ZINC
19	N010043	2	外六角-M8x40-镀锌	SCREW M8x40 ZINC
20	N010025	6	外六角-M5x16-镀锌	SCREW M5x16 ZINC
21	N040007	6	弹垫-M5-镀锌	LOCK WASHER M5 ZINC
22	N030013	6	平垫-5x15x1.2-镀锌	WASHER 5x15x1.2 ZINC
23	F050006	1	卡箍 D33-57	SCREW CLAMP D33-57
24	F060015	1	排污管 D38x1200	DRAINAGE PIPE D38x1200
25	C020265	4	加强管托 D43	REINFORCED TUBE SUPPORT D43
26	C020115	1	扒头下挂钩 T150	SQUEEGEE UNDER HOOK T150
27	N030076	4	平垫 不锈钢发黑	WASHER A2 BLACK
28	N040017	2	弹垫-M8-不锈钢	LOCK WASHER M8
29	N010346	4	内六角圆柱头 不锈钢发黑	SCREW A2 BLACK
30	N030040	11	平垫-5x15x1.2-不锈钢	WASHER 5x15x1.2



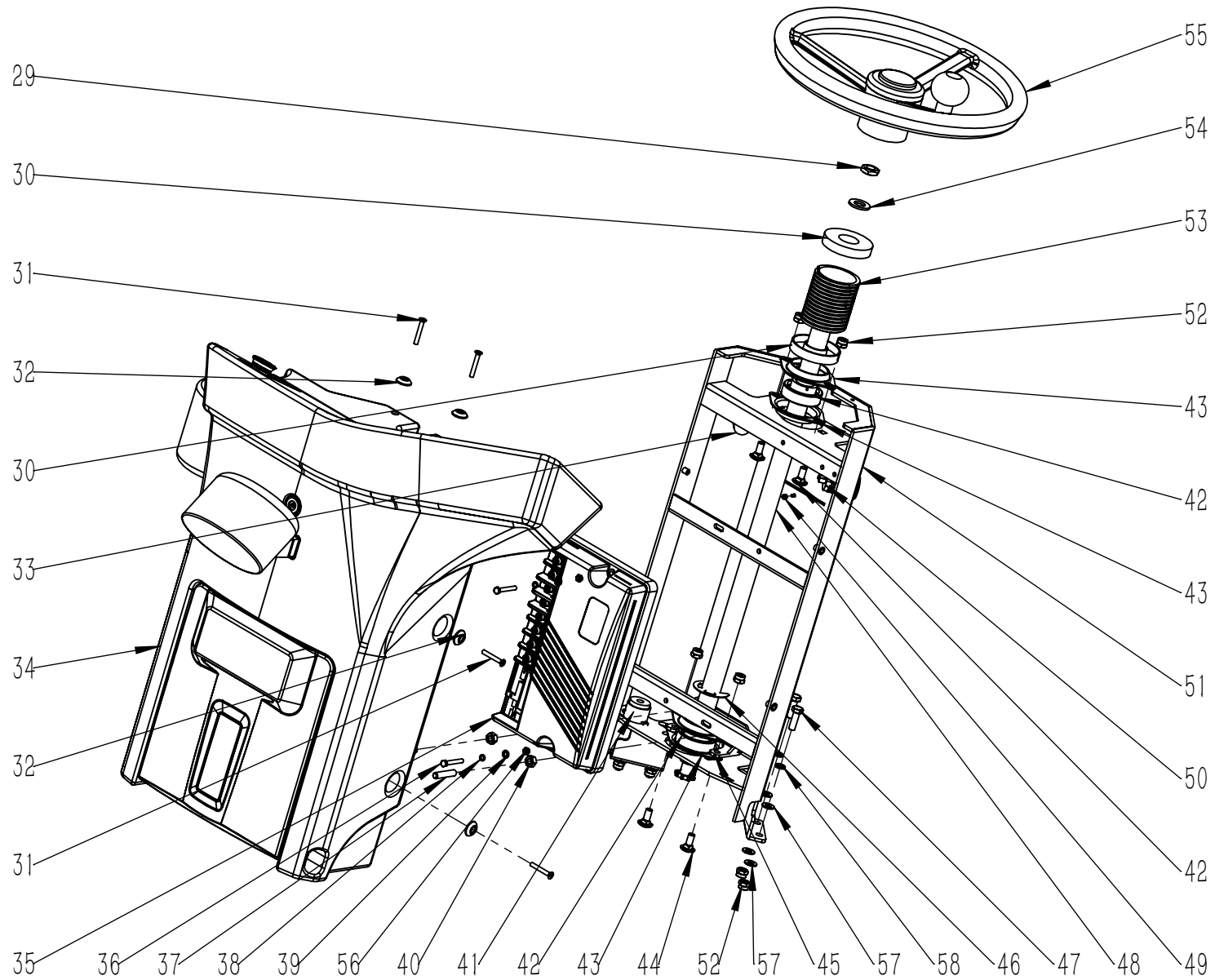
项目号 ITEM	零件号 P/N	数量 QTY	名称	DESCRIPTION
31	N040023	4	弹垫-M5-不锈钢	LOCK WASHER M5
32	N010029	4	外六角-M5x16-不锈钢	SCREW M5x16 A2
33	C020114	1	扒头上挂钩 T150	SQUEEGEE HOOK UP T150
34	N090042	1	O型密封圈 内径 D67x 线径 D6	O RING D67xD6
35	C020362	1	污水弯管 ABS	SEWAGE ELBOW ABS
36	C020087	1	一级过滤器 T130	PRIMARY FILTER T130
37	A040107	1	过滤篮固定座	FILTER BASKET HOLDER
38	N010097	2	沉头十字自攻螺栓-M4.2x13-不锈钢	SELF TAPPING SCREW M4.2x13 A2
39	N040032	2	弹垫-M8-不锈钢发黑	LOCK WASHER BLACK A2



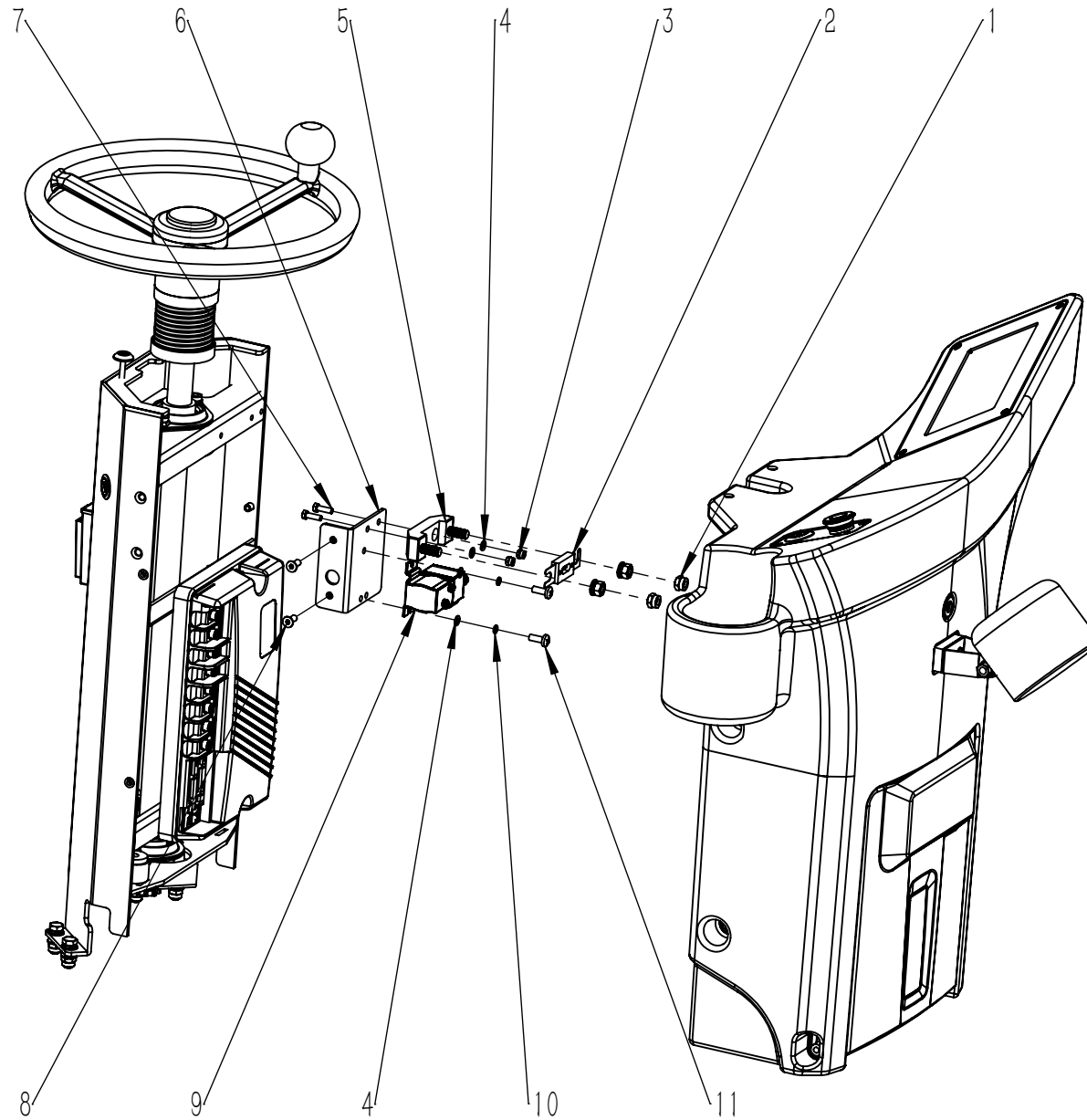
项目号 ITEM	零件号 P/N	数量 QTY	名称	DESCRIPTION
40	N010225	7	盘头十字-M4x10-不锈钢	SELF TAPPING SCREW M4x10 A2
41	A040086	1	消音盖板 T130	MUFFLER COVER T130
42	N020012	6	自锁螺母-M6-镀锌	LOCK NUT M6 ZINC
43	N040001	3	弹垫-M6-镀锌	LOCK WASHER M6 ZINC
44	N030008	3	平垫-6x18x1.6-镀锌	WASHER 6x18x1.6 ZINC
45	E040036	1	吸水电机-36V-738W-116513-13	VACUUM MOTOR 36V 738W 116513-13
46	F040005	1	背胶-D(140-70)-3M	3M ADHESIVES GUM D (140-70)
47	F040001	1	吸水电机消音垫 D140x5	SPONGE D140x5
48	B050046	3	支撑套管 78	SLEEVING 78
49	N100001	3	螺杆 M6x120	SCREW M6x120mm
51	E050103	1	警示灯 T150	WARING LIGHT T150
52	C010015	1	污水箱 T150	RECOVERY TANK T150
53	N010112	6	十字盘头-M5x16-不锈钢	SCREW M5x16 A2
54	N090002	6	扎带固定座 23x16	SUPPORT 23x1
55	F060012	1	吸污管 D. 38x800	SUCTION HOSE D. 38x800
56	C020086	1	隔音棉 T130	SOUNDPROOF COTTON T130



项目号 ITEM	零件号 P/N	数量 QTY	名称	DESCRIPTION
1	N010227	5	沉头十字-M3x10-8.8 镀黑锌	SUNK CROSS SCREW M3x10 8.8 BLACK ZINC
2	E020084	1	自复位按键	SELF RESET BUTTON
3	B050077	1	电源开关安装板	POWER SWITCH MOUNTING PLATE
4	E020086A	1	急停开关	EMERGENCY STOP SWITCH
5	E020085	1	自复位按键接线座	SELF RESET BUTTON TERMINAL BLOCK
6	E020087A	1	急停开关接线座	EMERGENCY STOP SWITCH TERMINAL BLOCK
7	N020054	1	螺母-M8-镀黑锌	NUT M8 BLACK ZINC
8	E080123	1	护线套-内径 16-卡槽 5mm	WIRE PROTECTION SLEEVE-INNER DIAMETER 16 CARD SLOT 5MM
9	N040031	1	弹垫-M8-镀黑锌	LOCK WASHER BLACK ZINC
10	N030081	1	平垫-8x16x1.6-镀黑锌	WASHER 8x16x1.6 BLACK ZINC
11	E050121	1	蓝警示灯 T150	BLUE WARNING LIGHT T150
12	N010070	2	圆头十字-M4x10-不锈钢	SCREW M4x10 A2
13	A030092	1	警示灯支架 T150	WARNING LIGHT BRACKET T150
14	N010164	2	十字盘头机钉-M4x16-不锈钢	SELF TAPPING SCREW M4x16 A2
15	N010173	1	外六角-M8x40-镀黑锌	SCREW M8x40 BLACK ZINC
16	C010016	1	转向器前挡板 T150	DOOR T150
17	N060007	2	磁铁-D25xD5x8-17KG	MAGNET D25xD5x8-17KG
18	N010134	2	沉头十字螺栓-M5x16-不锈钢	SCREW M5x16 A2
19	A060032	1	探照灯固定座-48×25×10-T150	SEARCHLIGHT FIXTURE-48x25x10 T150
20	N030022	2	平垫-6x18x1.6-不锈钢	WASHER 6x18x1.6 A2
21	C020079	1	手机盒 T130	MOBILE PHONE BOX T130
22	N010257	4	十字盘头-M3x8-不锈钢	SCREW M3x8 A2
23	B050076	4	液晶屏压板	LCD SCREEN PRESSURE PLATE
24	E040232	1	液晶显示屏 DN28-YB70	LCD DISPLAY DN28-YB70
25	F040016	1	硅胶垫 168×103×1	SILICONE PAD 168×103×1
27	B050075	1	面板安装板	PANEL MOUNTING PLATE
28	N010299	4	沉头十字螺钉-M4x12-不锈钢发黑	SCREW-M4x12-A2 BLACK



项目号 ITEM	零件号 P/N	数量 QTY	名称	DESCRIPTION
29	N020035	1	薄螺母-M14-镀锌	NUT M14 ZINC
30	N090005	2	端盖 D (65-27) x12	COLLAR D (65-27) x12
31	N010232	6	沉头十字-M5x35-镀黑锌	SCREW M5x35 BLACK ZINC PLATING
32	C020028	6	异形垫片 D5	WASHER D5
33	E020050	1	喇叭按钮 TS1300	HORN BUTTON TS1300
34	C010151	1	前转向罩-150PRO-绿色	COVER T150PRO GREEN
35	E040231	1	控制器 DN28-XD515	CONTROLLER DN28-XD515
36	N010229	2	外六角-M5x35-不锈钢	SCREW M5x35 A2
37	N010140	2	内六角紧定螺钉-M8x40-不锈钢	SCREW M8x40 A2
38	N040023	2	弹垫-M5-不锈钢	LOCK WASHER M5
39	N030016	2	平垫-5x10x1-不锈钢	WASHER 5x10x1
40	N020010	2	螺母-M8-不锈钢	NUT M8 A2
41	E050135	1	蜂鸣器 LZQ-2725A	BUZZER LZQ-2725A
42	N070005	2	轴承-SBPFL-205	BEARING SBPFL 205
43	N070004	4	轴承座-SBPFL-205	BEARING SUPPORT SBPFL 205
44	N010091	4	圆头方颈螺栓-M8x20-镀锌	SCREW M8x20 ZINC
45	A020020	1	轴承座固定支座 76	SUPPORT
46	N080020	1	卡簧 D24	CIRCLIP D24
47	N010007	4	外六角-M8x25-镀锌	SCREW M8x25 ZINC
48	B060056A	1	转向轴 D25x694	STEERING SHAFT D25x694
49	N020019	1	自锁螺母-M3-镀锌	LOCK NUT M3 ZINC
50	E020057	1	双 USB 接口带灯-15W-T130	DUAL USB INTERFACE WITH LIGHT 15W T130
51	A020069	1	转向器支架	SUPPORT
52	N020001	8	自锁螺母-M8-镀锌	LOCK NUT M8 ZINC
53	N090097	1	波纹管轴套 D50x70	SPACER D50x70
54	N030055	1	平垫-14X28X2.5-镀锌	WASHER 14X28X2.5 ZINC
55	N110036	1	方向盘-带助力球-T150	STEERING WHEEL BOOSTER BALL T150
56	E080150A	1	线束 T150PRO	WIRE HARNESS T150PRO
57	N030006	8	平垫-8x16x1.6-镀锌	WASHER 8x16x1.6 ZINC
58	N040013	4	弹垫-M8-镀锌	LOCK WASHER M8 ZINC



项目号 ITEM	零件号 P/N	数量 QTY	名称	DESCRIPTION
1	N020024	2	自锁螺母-M8-不锈钢	LOCK NUT M8 A2
2	E050005	2	保险 80A	FUSE 80A
3	N020016	2	自锁螺母-M5-镀锌	LOCK NUT M5 ZINC
4	N030031	4	平垫-5x10x1-镀锌	WASHER 5x10x1 ZINC
5	E050004	1	保险座 80A	FUSE HOLDER 80A
6	A060039	1	安装支架 80X90	MOUNTING BRACKETS 80X90
7	N010025	2	外六角-M5x16-镀锌	SCREW M5x16 ZINC
8	N010365	2	沉头内六角-M6X16-镀黑锌	SCREW M6X16 BLACK ZINE
9	E050134	1	直流接触器-36V-80A	DC CONTACTOR 36V 80A
10	N040007	2	弹垫-M5-镀锌	LOCK WASHER M5 ZINC
11	N010073	2	圆头十字螺丝-M5x16-镀锌	SCREW M5x16 ZINC

项目号 ITEM	零件号 P/N	数量 QTY	名称	DESCRIPTION
1	M020041	1	木托盘	WOOD PALLET
2	M020042	1	下坡板 T150PRO	DOWNHILL BOARD T150PRO
3	P010012	1	测试报告	TEST REPORT
4	P010004	1	保修卡	WARRANTY CARD
5	C040367	1	TVX 前标-灰底银拉丝	TVX FRONT LABEL GRAY BACKGROUND SILVER BRUSHED
6	C040440	1	左侧标-T150PRO-TVX	LEFT SIDE LABEL T150PRO TVX
7	C040441	1	控制面板标贴-T150PRO-TVX	CONTROL PANEL LABEL T150PRO-TVX
8	C040442	1	右侧标-T150PRO-TVX	RIGHT SIDE LABEL T150PRO TVX
9	C030030	1	刷盘防溅条-橡胶-85x860	RUBBER SKIRT 85x860
10	C030031	1	刷盘防溅条-橡胶-85x770	RUBBER SKIRT 85x770
11	M010010	1	纸盒-1200x330x120-扒头 1150	1150 SQUEEGEE CARTON BOX 1200x330x120
12	M020043	6	木条 T150PRO	BATTEN T150PRO